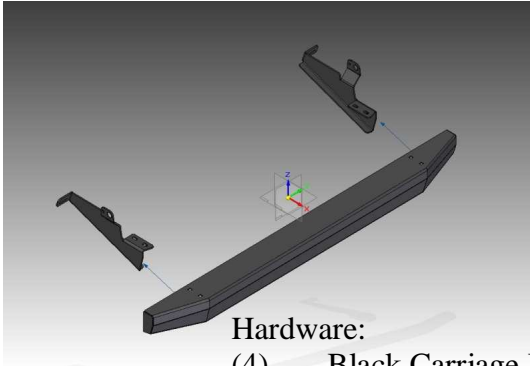


12494 Pioneer Rear Bumper Installation Instructions

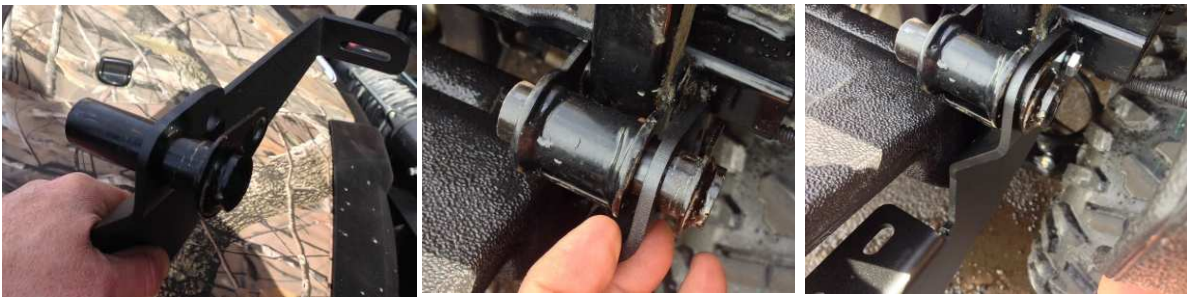


Hardware:

- (4) Black Carriage Bolt, 3/8-16 x 1
- (4) Nut, Nyloc Flange 3/8=18
- (2) Bolt, Hex Head M6 x 16
- (2) Bolt, Hex Head Flange 5/16-18 x 1"
- (2) 5/16 Washer
- (2) 5/16-18 Nyloc Nut

Step 1: Remove the Left and Right Bed Sides and Left and Right tailgate pivot brackets according to the procedures in the Service Manual.

Step 2: Insert the L & R Pivot Brackets into the L & R Bumper Brackets (tube will insert and face same direction as the bumper mounting flange).



Step 3: Reinstall the Pivot Brackets with the bumper brackets into the tailgate assembly and tailgate using the provided 6mm Hex Bolt (note: leave all hardware very loose until the final step).

Step 4: Insert the 5/16 Bolt thru the rear slot on the bracket and into the triangular shaped pivot mount on the machine; start the washer and nut. Note: Outside of slot accommodates installation on the 4 place Pioneer.

Step 5: Place the bumper on the brackets and insert (4) Carriage Bolts and Nuts. Snug the bumper Carriage Bolts before tightening any other hardware.

Step 6: Tighten remaining hardware beginning with the 6mm bolt, then reinstall bed sides according to the Service Manual.

