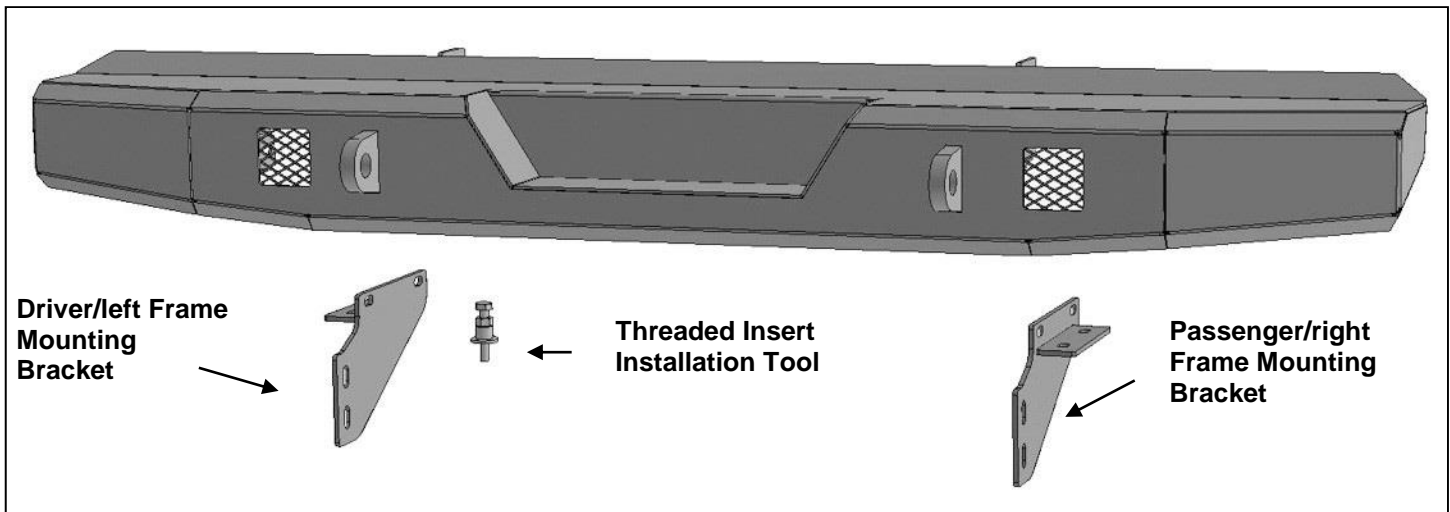




P/N: 14702

**PARTS LIST:**

1	Rear Bumper	4	10mm Nylon Lock Nuts
1	Driver/left Frame Mounting Bracket	4	8-1.25mm x 60mm Hex Bolts
1	Passenger/right Frame Mounting Bracket	4	8-1.25mm x 30mm Hex Bolts
1	Threaded Insert Installation Tool	12	8mm x 24mm x 2mm Flat Washers
4	8-1.25mm Threaded Inserts	8	8mm Lock Washers
4	10-1.5mm x 30mm Hex Bolts	4	8mm Hex Nuts
8	10mm x 30mm x 2.5mm Flat Washers		



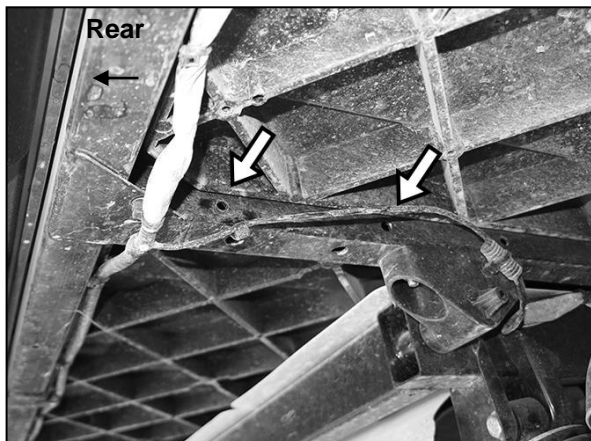
**PROCEDURE:**

**REMOVE CONTENTS FROM BOX. VERIFY ALL PARTS ARE PRESENT. READ INSTRUCTIONS CAREFULLY BEFORE STARTING INSTALLATION. DRILLING IS REQUIRED. ASSISTANCE IS RECOMMENDED.**

1. Start installation from below the rear of the passenger/right side of the bed. Locate the holes in the bottom and through the sides of the square bed support frame, **(Figure 1)**. **NOTE:** Remove the clip attaching the wiring harness to the outside of the frame. If necessary, hold the passenger/right Frame Mounting Bracket up to the bottom of the frame to determine correct mounting holes.
2. Use a **5/16"** drill bit to open up the holes running horizontally through the sides of the frame, **(Figure 2)**.
3. Locate the (2) holes in the bottom of the frame. Use an electric drill and **larger 7/16"** drill bit, (not included) to drill out the (2) mounting holes, **(Figure 3)**. **VERY IMPORTANT:** Only drill through the bottom of the frame enlarge the holes for a Threaded Insert, **do not drill completely through the frame and into the bed!**
  - a. Select the 8mm Threaded Insert Installation Tool and (1) 8mm Threaded Insert **(Figure 4-A)**.
  - b. Screw the Insert onto the threaded end of the Insert Tool, **(Figure 4-A)**.
  - c. Firmly hold the Tool and push the Insert into one of the previously drilled holes, **(Figure 4-B)**.
  - d. Insert should fit snug into the drilled hole. Lightly tap the Tool and Insert into the hole with a small hammer if necessary.
  - e. Use a wrench over the hex nut to hold the Insert Tool in place. Turn the hex bolt on the Tool clockwise to tighten the bolt and expand the Insert in the hole, **(Figures 4-C & 5)**.
  - f. Once Insert is fully compressed and expanded, remove the Tool from the Insert, **(Figure 6)**. **WARNING:** Do not overtighten Insert or damage to the Insert may result.
  - g. Repeat the previous Steps to install the remaining Threaded Insert, **(Figure 6)**.

4. Next, select the passenger/right Frame Bracket, **(Figure 7)**. Attach the Bracket to the previously installed Threaded Inserts in the bottom of the frame with the included (2) 8mm x 30mm Hex Bolts, (2) 8mm Lock Washers and (2) 8mm Flat Washers, **(Figures 7 & 9)**. Leave hardware loose at this time.
5. Attach the Frame Bracket to the inner side of the frame with the included (2) 8mm x 60mm Hex Bolts, (4) 8mm Flat Washers, (2) 8mm Lock Washers and (2) 8mm Hex Nuts, **(Figures 8 & 9)**. **NOTE:** Slide the Flat Washers up and between the frame tube and the ribs on the bottom of the bed. Snug but do not fully tighten hardware at this time.
6. Repeat **Steps 1—5** to install the driver/left Frame Bracket, **(Figure 9)**.
7. With assistance, position the Bumper Assembly up to the inside of the Frame Brackets. Line up the mounting tabs on the back of the Bumper with the Frame Brackets, **(Figure 10)**. **WARNING:** To avoid possible injury or damage to the vehicle, do not proceed until the Bumper is fully and safely supported.
8. Attach the Bumper to the inside of the Frame Brackets with the included (4) 10mm x 30mm Hex Bolts, (8) 10mm Flat Washers and (4) 10mm Nylon Lock Nuts, **(Figures 10 & 11)**. Do not fully tighten hardware.
9. Level and adjust the Bumper and tighten all hardware including Bracket to frame hardware.
10. Do periodic inspections to the installation to make sure that all hardware is secure and tight.

**To protect your investment,** Do not use any type of polish or wax that may contain abrasives that could damage the finish. Mild soap may be used to clean the Bumper assembly.



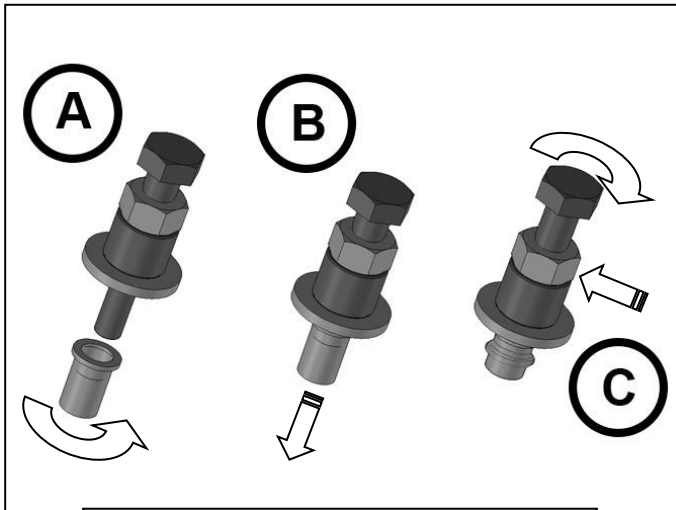
**(Fig 1) Locate mounting holes through sides of frame, (arrows). Release wiring harness**



**(Fig 2) Use a 5/16" drill bit to open up horizontal holes through sides of frame**



**(Fig 3) Use a 7/16" drill bit to open up the (2) holes in the bottom of the frame. IMPORTANT: DO NOT Drill through frame and into bed, only enlarge the (2) bottom holes for Threaded Inserts.**



(Fig 4) Assemble Threaded Insert Tool

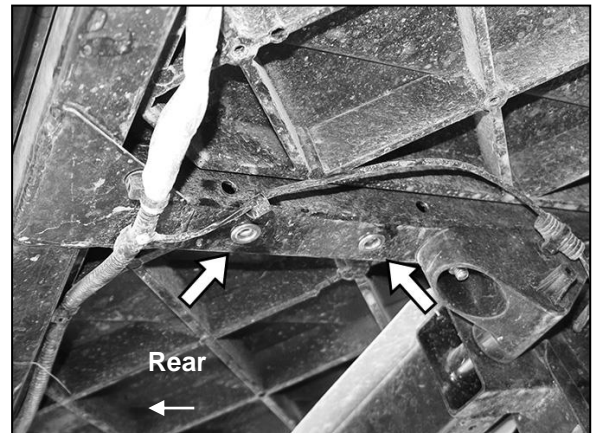
(4-A) Select Insert Tool and (1) Insert. Thread Insert onto end of Insert Tool. Hand tighten only, do not tighten hex bolt

(4-B) Firmly hold assembly and push Insert into drilled hole in frame.

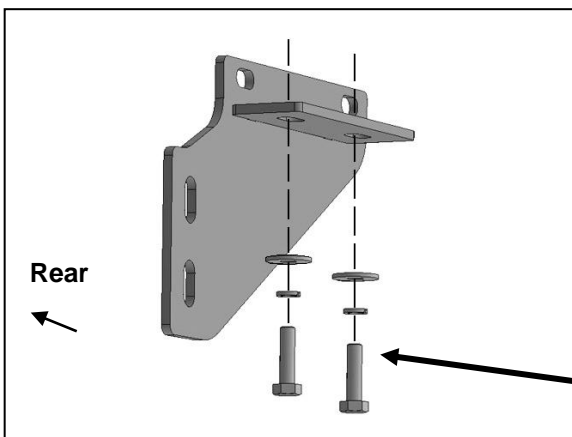
(4-C) Use a wrench (open or box end) to hold nut (arrow) to prevent nut and tool from turning. Hold Tool Assembly up tight in frame. Turn hex bolt in Tool clockwise to expand insert in frame. Remove Tool once Insert is fully tightened. Do not overtighten or Insert may be damaged. Repeat steps for all Insert installations



(Fig 5) Insert installation pictured, impact tool use is optional

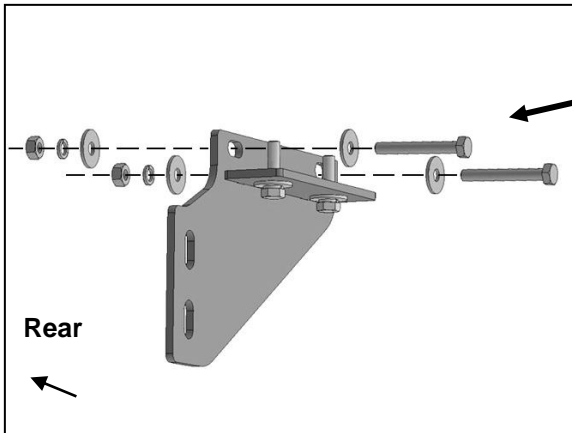


(Fig 6) (2) Threaded Inserts fully installed in passenger/right side bottom of frame, (arrows)



(Fig 7) Attach passenger/right Frame Bracket to Inserts in bottom of frame

- (2) 8mm x 30mm Hex Bolts
- (2) 8mm Lock Washers
- (2) 8mm Flat Washers

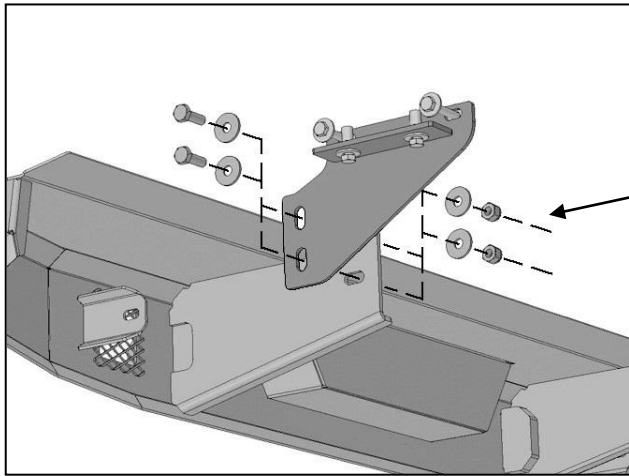


- (2) 8mm x 60mm Hex Bolts
- (4) 8mm Flat Washers
- (2) 8mm Lock Washers
- (2) 8mm Hex Nuts

(Fig 8) Attach Passenger/right Frame Bracket to inside facing side of frame



(Fig 9) Frame Brackets installed



(Fig 10) Attach passenger/right side of Bumper to inside of Frame Bracket

- (4) 10mm x 30mm Hex Bolts
- (4) 10mm Flat Washers
- (2) 10mm Nylon Lock Nuts



(Fig 11) Bumper installed. Attach Light to tab on back of Bumper (light not included)

