

Polaris RZR Pack Out Rack
P/N: 14708
Fits: 2020-23 PRO-XP and 2022-23 Turbo R

Installation Instructions:

Includes:

1. (1) Rack (14708-02)
2. (2) Channels (LH & RH)
(14708-01)

Installation should be done by a certified technician.

Rack Capacity: 50 lbs.

Hardware Kit:

1. (4) 1/4-20 x 1-1/2 Flat Hd Socket/Phillips Bolt.
(Countersunk head)
2. (4) 1/4-20 Nyloc Flange Nut-Black.
3. (4) Spacers (3/8-16 x 1-1/8" long Coupling Nut)
4. (2) 3/8-16 x 4" Hex HD Bolt.
5. (2) 3/8-16 Nyloc Flange Nut-Black.
6. (2) 3/8 Washer-Black.
7. (2) Plastic Tube x 3-1/4" Long.
8. (1) Logo Sticker

You are replacing the passenger seat with this bracket. Refer to your service or owner's manual on how to remove the seat and base.

Installation:

1. Slide the plastic tubing into the channels.
2. Secure in place with the 4" long bolts, nuts and washers. Tighten with the 9/16" wrenches. Note: There is a left and right channel.
3. Determine if you want to open your storage boxes from the drivers seat or from outside the passenger side of the buggy. This will determine how you mount the plate. The boxes only slide in one way.
4. Attach the channels to the base plate using the 1/4" diameter bolts, nuts and spacers. NOTE: There are two holes for adjustment and slots for adjustment so your will take a little adjustment.

Tools Needed:

1. 9/16" Wrench
2. Phillips Screw Driver
3. 7/16" Wrench

Fig.1

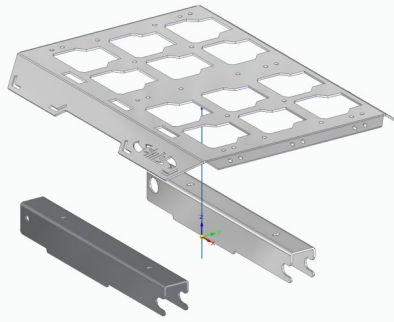


Fig. 5

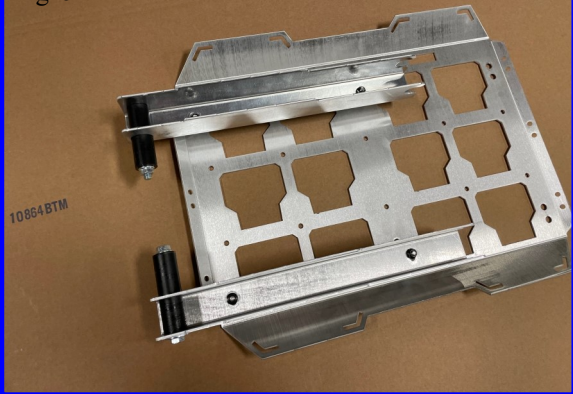


Fig. 2



Fig. 6

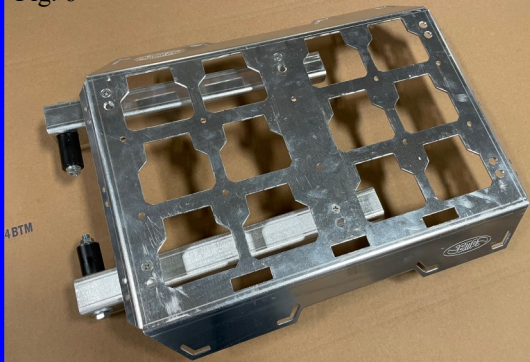


Fig. 3



Fig. 4

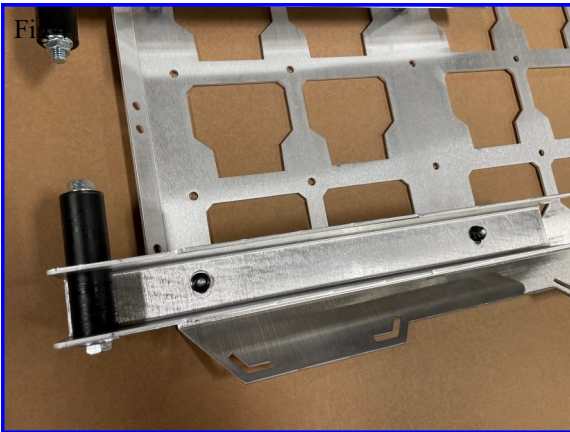


Fig. 8

