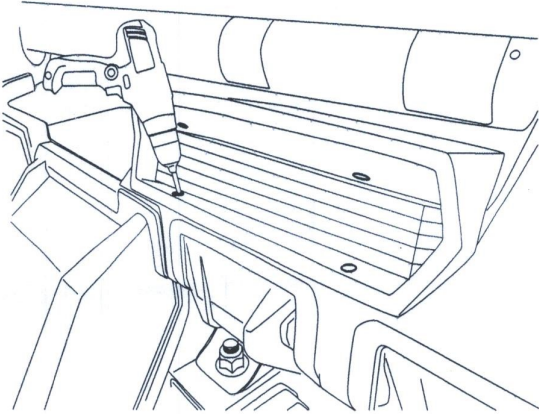
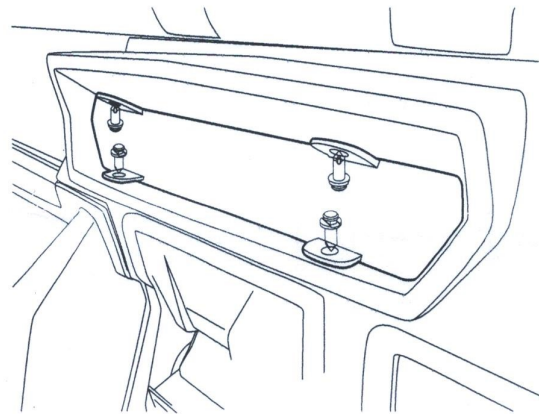


3. Use electric drill to drill four $\Phi 9$ mounting holes.



4. Use the push rivet clips to install the Intake Block Off Plate.

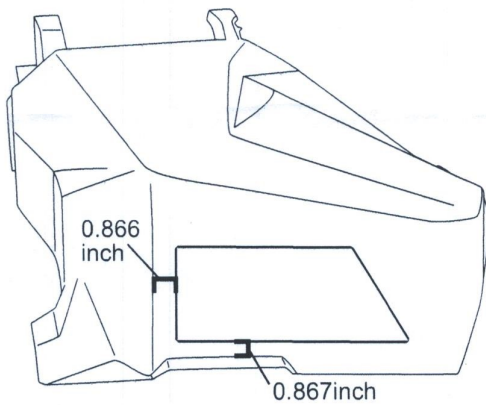


Installation steps of grid ventilation window:

1. Cut out the template and stick it on your rear intake cap.

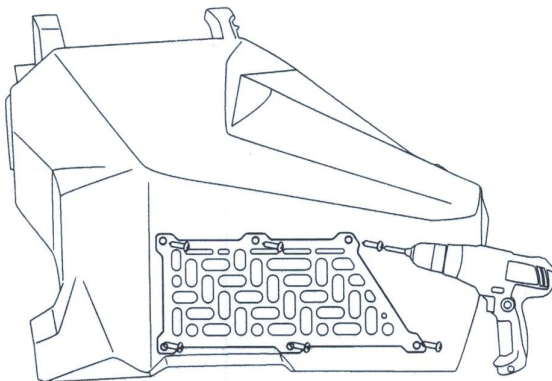
Leave 0.866" on the left and 0.867" above the bottom as the picture shown.

Once you trace its outline, use the cutting bit to cut the plastic away.



Note: Template is included, check your package.

2. Put on the rear air relocation grill, fix it with the self-tapping screws.



3. Put on the rubber bolt caps to protect the self-tapping screws. Put back the rear intake cap to your x3, installation complete.

