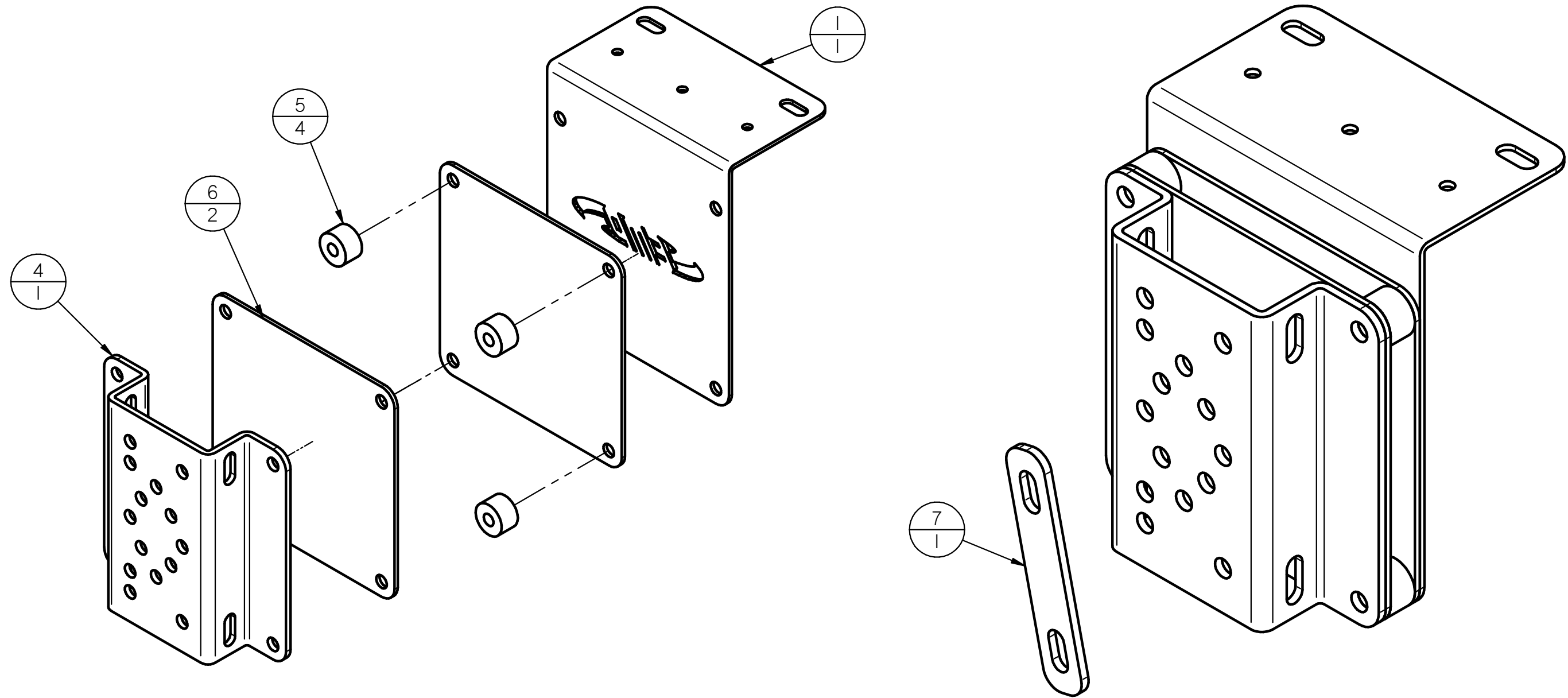


| REVISION HISTORY | | | |
|------------------|-------------|------|----------|
| REV | DESCRIPTION | DATE | APPROVED |
| | | | |



| Item Number | File Name | Quantity | Gage | Material |
|-------------|--------------|----------|---------|-------------|
| 1 | 14217-01.psm | 1 | 11 gage | Steel |
| 4 | 14217-03.psm | 1 | 7 gage | Steel |
| 5 | 14217-05.par | 4 | | EPDM Rubber |
| 6 | 14217-06.par | 2 | .125 | UHMW |
| 7 | 14216-02.psm | 1 | 7 gage | Steel |

| | NAME | DATE | Extreme Metal Prodcuts, LLC | |
|--|------|----------|------------------------------------|---------|
| DRAWN | MJC | 06/15/20 | 4730 Briar Rd, Cleveland, OH 44135 | |
| CHECKED | | | 216-267-3900 | |
| ENG APPR | | | TITLE | |
| MGR APPR | | | 14217 CHAINSAW HOLSTER | |
| UNLESS OTHERWISE SPECIFIED DIMENSIONS ARE IN INCHES ANGLES ±X.X° 2 PL ±X.XX 3 PL ±X.XXX | | | SIZE | DWG NO |
| | | | B | |
| | | | FILE NAME: 14217_ASSEM.dft | |
| | | | SCALE: | WEIGHT: |
| | | | SHEET 1 OF 5 | |