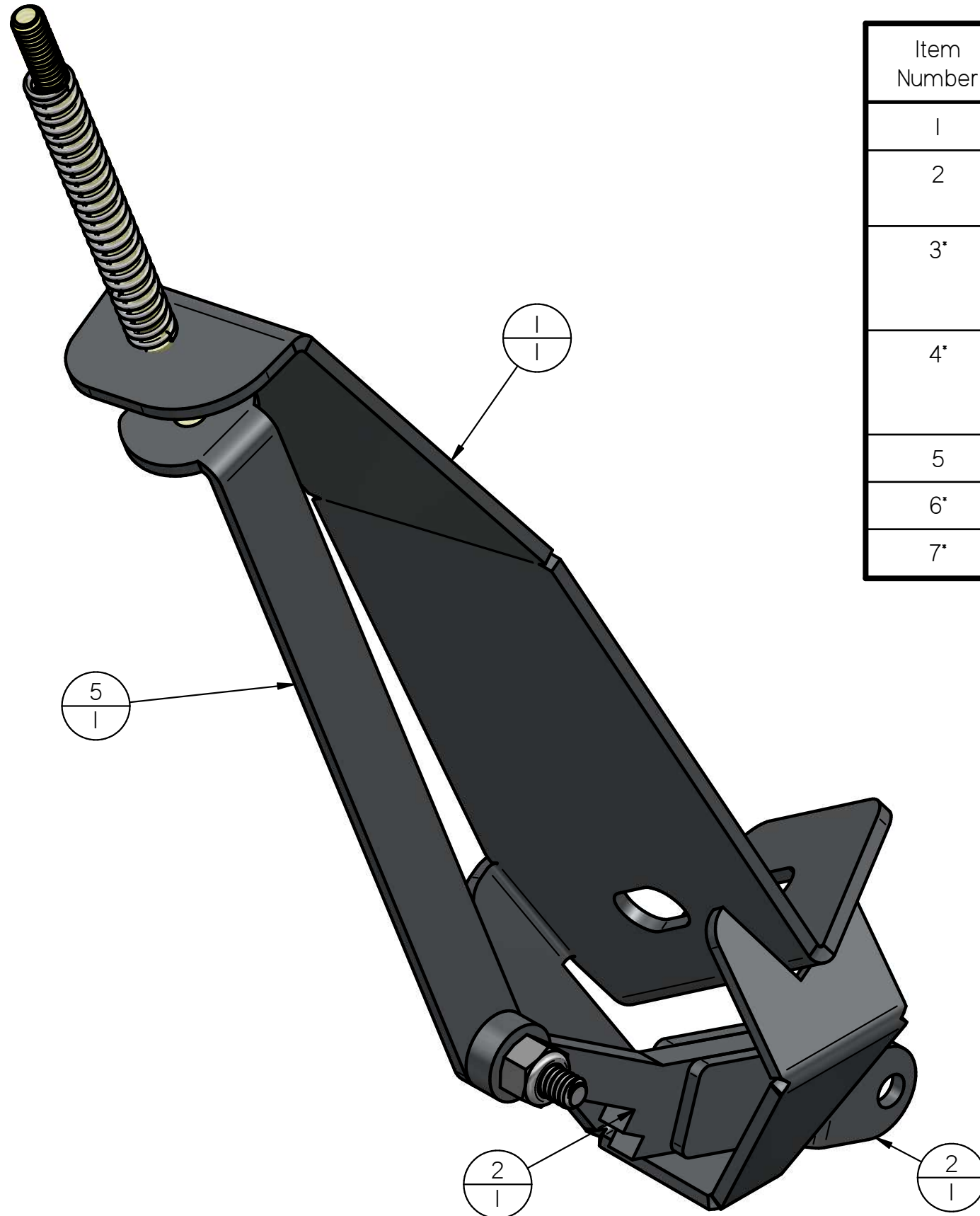


REVISION HISTORY			
REV	DESCRIPTION	DATE	APPROVED



Item Number	File Name	Quantity
1	I3515-02	1
2	I3515_SUB_ASSEM_LOCK-1	1
3*	I986K960_TYPE 302 STAINLESS STEEL COMPRESSION SPRING	1
4*	9I257A105_250_20_475 _HIGH-STRENGTH GRADE 8 STEEL CAP SCREW	1
5	I3515-05	1
6*	FHS-0420-16	1
7*	NUT-NYLOC-250-20	1

	NAME	DATE	Extreme Metal Prodcuts, LLC	
DRAWN	sconder	10/19/17	4730 Briar Rd, Cleveland, OH 44135	
CHECKED			216-267-3900	
ENG APPR			TITLE	
MGR APPR			I3515 RZR AUX BRAKE	
UNLESS OTHERWISE SPECIFIED DIMENSIONS ARE IN INCHES ANGLES ±X.X° 2 PL ±X.XX 3 PL ±X.XXX			SIZE	DWG NO
			B	
			FILE NAME: I3515_ASSEM-1.dft	
			SCALE:	WEIGHT:
			SHEET 1 OF 5	