

Polaris Ranger Rear Bumper

Fits: 2010-12 Ranger 400 & 2011-12, Ranger 500
P/N 10604

Tools Needed:

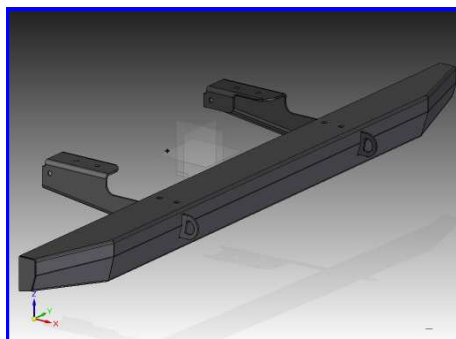
1. 9/16" Wrench or Socket
2. 3/8" Socket for Drill
3. Cordless Drill

Includes:

1. (2) Mounting Brackets (LH & RH)
2. (1) Bumper
3. (4) #14 x 1" Self Drilling TEK Screw
4. (8) 3/8"-16 x 1" Black Carriage Bolt
5. (8) 3/8 Nylon Nut
6. (8) 3/8 USS Flat Washer

Installation:

1. Set Parking Brake.
2. Attach mounting brackets to the square holes in the channel under your cargo bed using the carriage bolts provided.
3. Attach the bumper to the mounting brackets using the remaining carriage bolts.
4. Using your cordless drill and self drilling screws. Drill up through the holes in the center of the mounting brackets in the square tube on the cargo bed.



 WWW.EXTREMOMETALPRODUCTS.COM
OFF-ROAD ACCESSORIES
Cleveland, Ohio

