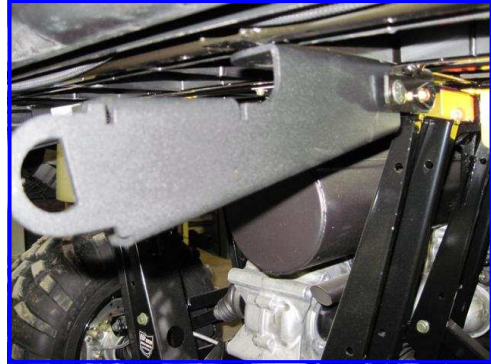


P/N 10595 Ranger Extreme Rear Bumper

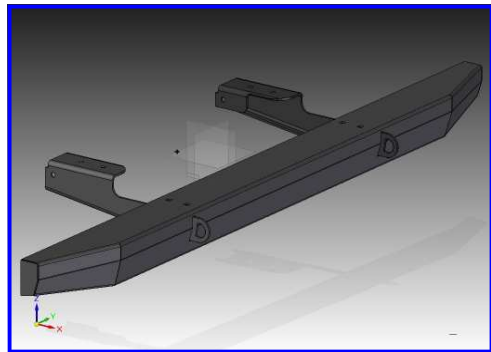
Fits: 2005-2013 Full Size Ranger 500, 700, 800 and Crew.

Includes:

- 1. Rear Bumper**
- 2. (2) Mounting Brackets (LH and RH)**
- 3. (8) 3/8-16 x 1" Carriage Bolts**
- 4. (4) 3/8-16 x 1.75" Hex Hd. Bolts**
- 5. (12) 3/8-16 Flange Hex Nuts**
- 6. (2) 3/8 X 1" Self Threading Bolts**



WARNING: Do not ever use bumper for a tie down or for tow hook. Bumper could or bed could tilt resulting in serious injury or death.



Installation (4x4, Crew and XP):

- 1. Using carriage bolts supplied mount the mounting brackets inside the mounting channels under the cargo bed (rear flanges should be towards the outside of the vehicle).**
- 2. Bolt the bumper to the brackets using the remaining carriage bolts.**
- 3. Using only two of the 1 3/4" bolts to mount the bracket to the tubing under the cargo box. You will need to drill two .380" dia holes in the tubing using the bumper assembly as a template.**

